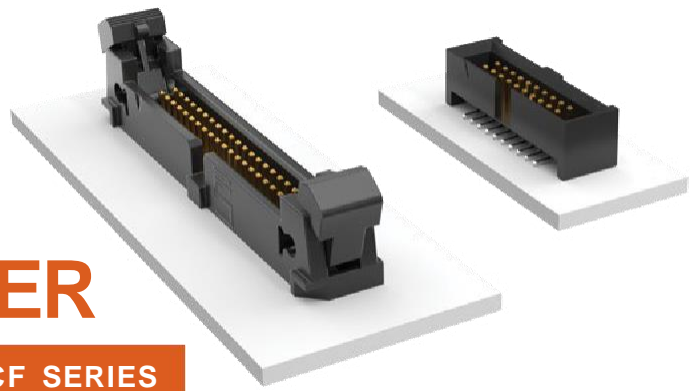


SHROUDED AND EJECTOR IDC HEADER



(1.27 mm) .050" PITCH • SHF/ESHF/EHF/ECF SERIES

SHF/ESHF

Mates:
FFSD, FFTP (SHF)

EHF

Mates:
FFSD*, FFTP

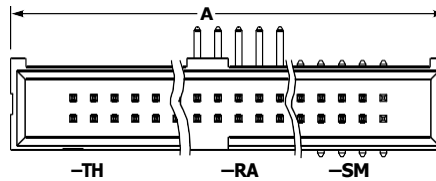
*Important Note:
EHF will not mate to FFSD with strain relief (-SR option), see ESHF series.

SERIES	1	NO. PINS PER ROW	01	PLATING OPTION	D	TAIL OPTION		OTHER OPTION	
--------	---	------------------	----	----------------	---	-------------	--	--------------	--

SHF = Mates with FFSD without Strain Relief	04, 05, 06, 08, 10, 11, 12, 13, 15, 17, 20, 25 (Standard sizes)	-L = 10 μm (0.25 μm) Gold on post, Matte Tin on tail	-TH = Through-hole -RA = Right-angle -SM = Surface Mount	-LC = Locking Clip (Not available with -RA) (Manual placement required) -K = (6.50 mm) .256" DIA Polyimide Film Pick & Place Pad (-SM only) -TR = Tape & Reel -FR = Full Reel Tape & Reel (must order max. quantity per reel; contact Samtec for quantity breaks)
---	---	---	--	--

SPECIFICATIONS

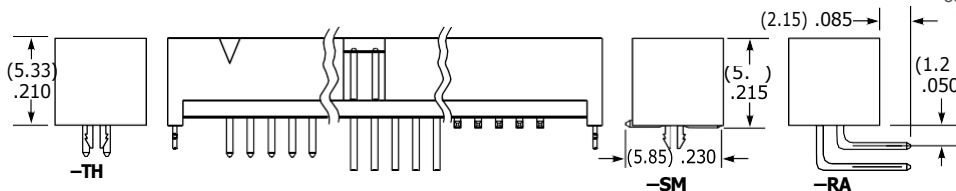
Insulator Material:
Black Liquid Crystal Polymer
Terminal Material:
Phosphor Bronze
Plating:
Sn or Au over 50 μm (1.27 μm) Ni
Operating Temp Range:
-55 °C to +125 °C



TYPE STRIP	A
SHF	No. of pins x (1.27) .050 + (6.35) .250
ESHF	No. of pins x (1.27) .050 + (10.16) .400

PROCESSING

Lead-Free Solderable:
Yes
SMT Lead Coplanarity:
(0.10 mm) .004" max

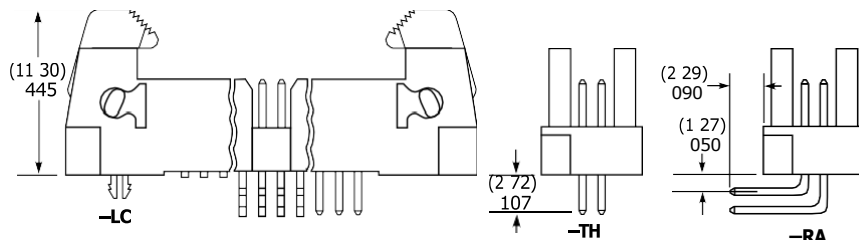
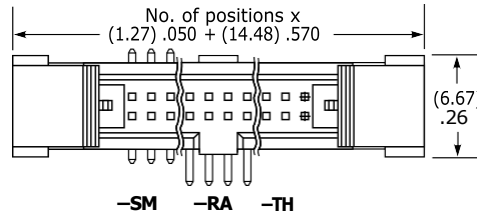
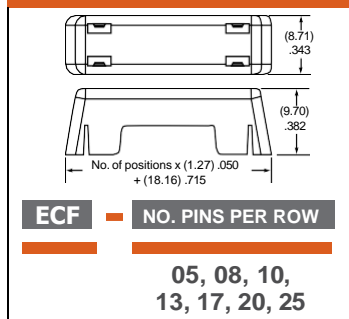


EHF	1	NO. PINS PER ROW	01	PLATING OPTION	D	TAIL OPTION		OTHER OPTION	
-----	---	------------------	----	----------------	---	-------------	--	--------------	--

04, 05, 08, 10, 13, 17, 20, 25 (Standard sizes)	-F = Gold flash on post, Matte Tin on tail -L = 10 μm (0.25 μm) Gold on post, Matte Tin on tail	Leave blank for Through-hole version -SM = Surface Mount -RA = Right-angle	-“XX” = Polarized Position (-RA not available) -LC = Locking Clip (-SM only) (Manual placement required) -K = (7.50 mm) .295" DIA Polyimide Film Pick & Place Pad -P = Pick & Place Pad (-SM only) -TR = Tape & Reel (-LC not available) -FR = Full Reel Tape & Reel (must order max. quantity per reel; contact Samtec for quantity breaks) (-LC not available)
---	---	--	---

EJECTOR HEADER CAP

(Locks FFSD cable to EHF header)



Note:
Some lengths, styles and options are non-standard, non-returnable.

